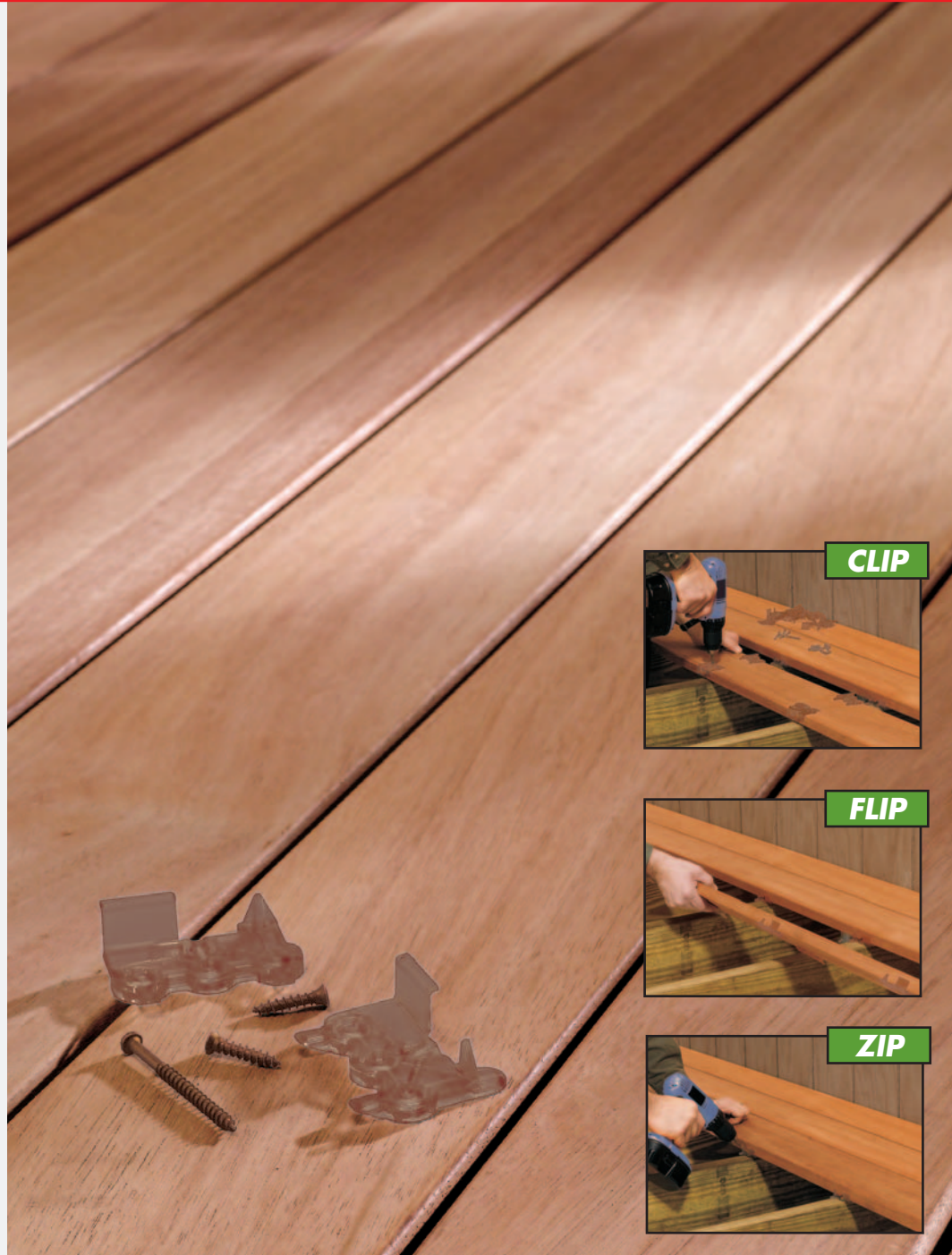




**Faster. Easier. Stronger.™**

### Just Clip & Flip.

- Above the deck installation
- First and last board design
- No special tools needed
- Extremely strong holding power
- Consistent board-to-board gapping
- Engineered for composite and hardwood decks
- Free instructional DVD in every package
- Can be used with perpendicular to joist and angled deck designs



**For more information or free samples,  
call FastenMaster at 800-518-3569.**



## INSTALLATION PROCEDURE

### EASE OF INSTALLATION

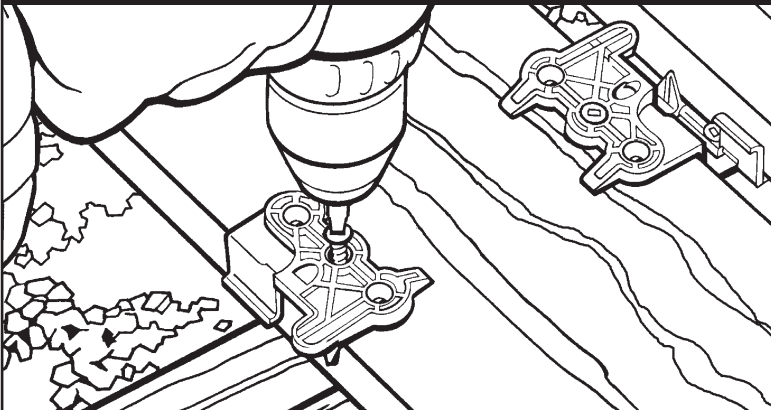
- Above-the-deck installation: The IQ System is designed to be installed while standing on the deck. This makes installation much faster and easier than "below-the-deck" hidden fasteners.
- Just Clip & Flip™: Simply align the clips with the joists, attach to the bottom of each board using one 7/8" screw in the center hole of each clip. Flip. Then install the joist screw. In three easy steps, you're done.
- One clip: The IQ System is engineered with one style clip. No special Right Clip, Left Clip, Butt Joint Clip. One clip does it all.
- One tool: The only tool you will need to install the IQ System is a drill. No need for a sledgehammer, biscuit cutter or bow wrench.
- Butt joints: Use the same IQ clip. Align board ends, gapping between where necessary. Center clip over the seam and install two 7/8" screws in outside clip holes.

**Note:** Hardwoods require predrilling at butt joints.

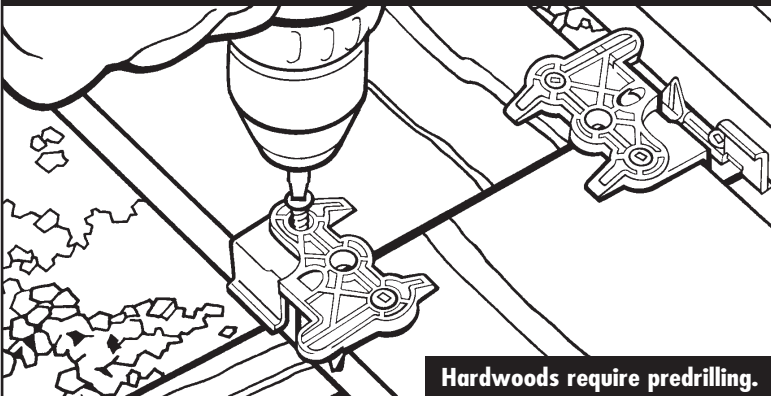
Part Number	Sq. Ft. Per Box*
FMIQKIT-25	25
FMIQKIT-100	100
FMIQKIT-300	300

\* Statement is based on 6" wide boards with 16" o.c. joist design. Square foot coverage may vary with joist spacing, deck design and deck board width.

### Standard Installation: One 7/8" screw in center clip hole.



### Butt Joint Installation: 7/8" screws in outside clip holes.

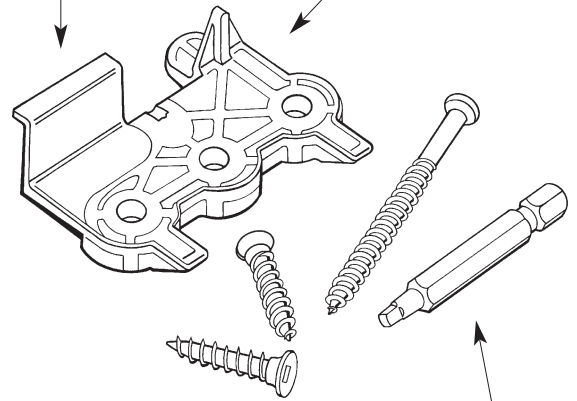


Hardwoods require predrilling.

## PRODUCT FEATURES

### TABS ALLOW FOR CONSISTENT BOARD-TO-BOARD GAPPING

MADE OF UV STABLE ENGINEERED POLYCARBONATE RESIN



DEEP #2 SQUARE DRIVE PROVIDES BEST BIT ENGAGEMENT

ACQ APPROVED CORROSION RESISTANT COATING

FM08002-10M-AMH



OMG, INC., 153 BOWLES ROAD, AGAWAM, MA 01001  
800-518-3569 WWW.FASTENMASTER.COM

©2008 FastenMaster® and IQ™ are trademarks of OMG, Inc.