

Introducing the Autobag® 500™ Bagging System – The new flagship in bag packaging machinery optimizes reliability, flexibility and ergonomics

The Autobag® 500™ bagger is a technologically-advanced, automatic filling and sealing machine designed for reliability, flexibility and optimizing packaging throughput. Capable of cycling at rates over 100 bags per minute, this system was designed to maximize machine uptime while lowering total cost of ownership.

State-of-the-art engineering has led to an innovative, inherently safe design. No light curtains or bulky guarding are required to achieve safe operation for hand load operations. This revolutionary new approach provides unobstructed access to the open bag, facilitating faster, more ergonomic loading.

The system features a simple design with very few moving parts, reducing lifetime cost and improving uptime. Servo driven web controls along with job storage capabilities reduce the amount of bags in queue, eliminating waste and decreasing changeover time.

Flexibility has been built into the system, allowing the Autobag 500 to meet the needs of any loading area. Capable of being configured for left or right-hand access to the HMI, cycle switch, bag loading, and ribbon loading provides seamless integration into any operation. The system can also be networked for full pack station integration to facilitate central monitoring; and the extraction of productivity information that can be manipulated for detailed analysis.

When used with genuine Autobag pre-opened bags-on-a-roll, the Autobag 500 ushers in the next evolution of high-quality, reliable and flexible bag packaging, backed by the industry's most comprehensive engineering and field service network.

Markets Served

- Aerospace & Defense
- Apparel & Accessory Packaging
- Automotive
- Electronics
- Hardware & Fasteners
- Healthcare
- Hobby & Craft
- Household Products
- Personal Products
- Pet Products
- Toys



Easily integrates with inline printers, counters, scales, and conveyors for semi to fully automatic bagging



Modular components and dedicated service access simplify maintenance and repairs to maximize uptime



AutoTouch™ Control Screen accesses operator tutorials, help system, on-board diagnostics, and performance monitoring



Multi-position unwind with tension control simplify changeover

Features and Benefits

More Options

More bag size options; from 2" W x 2.5" L to 12" W x 20" L supported (36" long unsupported)

Streamlined

Processor controlled servo motors, Ethernet-capable networking, and flexible mechanical design streamline integration

Compact

Compact footprint minimizes floor space

Adjustable

Simple height adjustment and casters for operator comfort and portability

Flexible

Adjustable pass-through up to 5" for maximum flexibility and packaging efficiency



Convertible

Easily converts from vertical to horizontal load to accommodate a wide variety of products



Ensures Consistent Quality

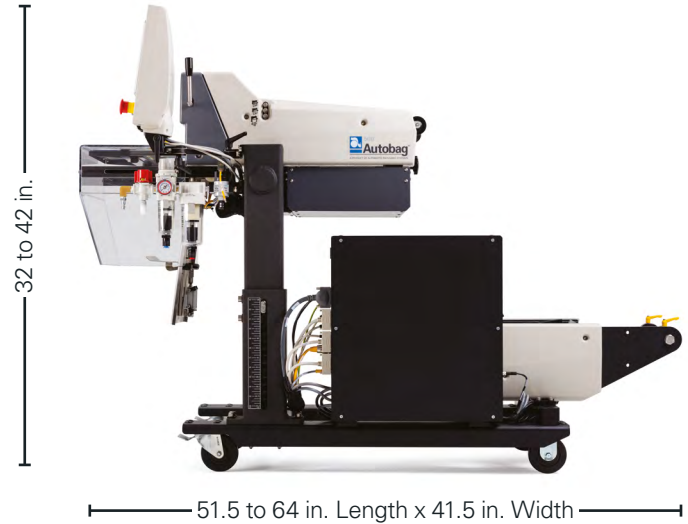
Newly designed bag sealer area combined with improved temperature control and optional seal-flatteners ensure consistent, high-quality seals



Optional Additions

- Range of In-Feed Funnels
- Seal Flatteners
- Raised Unwind
- SimpleCount™ Counting System
- Product Load Tray

Technical Information



Weight	350 lbs.
Electrical	Universal Input: 110V to 240V VAC, 50/60 Hz Power Consumption: 1500 Watts (VA) max
Air Feed	5 CFM/80 psi of clean, dry air
Pass-Through	5 in. max
Bag Thickness	1.09 – 4.0 mil
Bag Sizes	W 2 to 12 in. L* 2.5 to 20 in. <small>*There are two versions, Long and Short. Long configuration min length is 5 in. Short min length is 2.5 in.</small>
Weight Capacity	Up to 5 lbs. (with load shelf)



System Matched Bags



Service & Support



Custom Engineering & Integration



R.V. EVANS
BETTER RESULTS START WITH BETTER IDEAS

For Sales & Service 800.252.5894 www.rvevans.com

888-AUTOBAG info@autobag.com autobag.com

Automated Packaging Systems Inc. 10175 Philipp Parkway, Streetsboro, Ohio 44241

© Sept 2016 Automated Packaging Systems. Features, Options & Technical Specifications subject to change. The use of the ® or ™ symbol indicates that Automated Packaging Systems, Inc. has registered or is otherwise claiming trademark rights in the United States. These marks may also be registered in other countries and common law rights may apply in countries where such rights are recognized. 09/16 7.5M

Automated
PACKAGING SYSTEMS