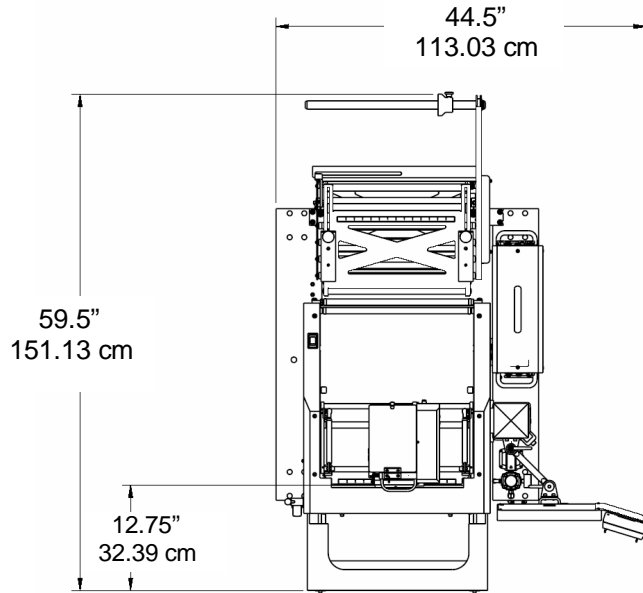
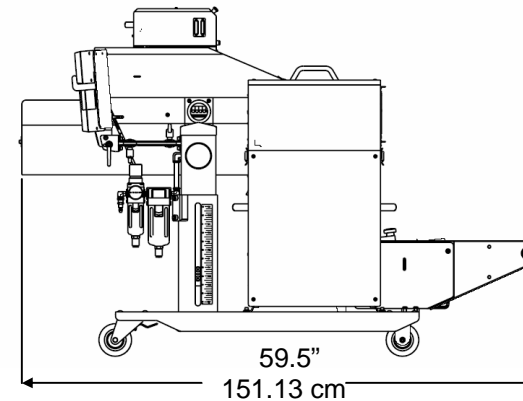
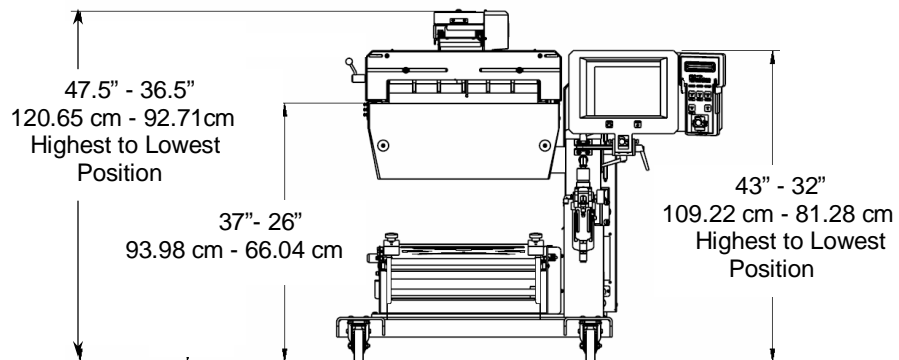


Footprint Drawing



AB 255 OneStep



machines

materials

service

s y s t e m s a d v a n t a g e

AUTOMATED PACKAGING SYSTEMS, INC.
 10175 Philipp Parkway • Streetsboro, Ohio 44241
 Tel: 330-342-2000 • Toll Free: 1-888-AUTOBAG • Fax: 330-342-2400 • www.autobag.com

m a c h i n e s m a t e r i a l s s e r v i c e

s y s t e m s a d v a n t a g e

AUTOMATED PACKAGING SYSTEMS, INC.
10175 Philipp Parkway • Streetsboro, Ohio 44241
Tel: 330-342-2000 • Toll Free: 1-888-AUTOBAG • Fax: 330-342-2400 • www.autobag.com



© 2006 Automated Packaging Systems

m a c h i n e s

m a t e r i a l s

s e r v i c e

s y s t e m s a d v a n t a g e

AUTOMATED PACKAGING SYSTEMS, INC.

10175 Philipp Parkway • Streetsboro, Ohio 44241

Tel: 330-342-2000 • Toll Free: 1-888-AUTOBAG • Fax: 330-342-2400 • www.autobag.com



© 2006 Automated Packaging Systems