

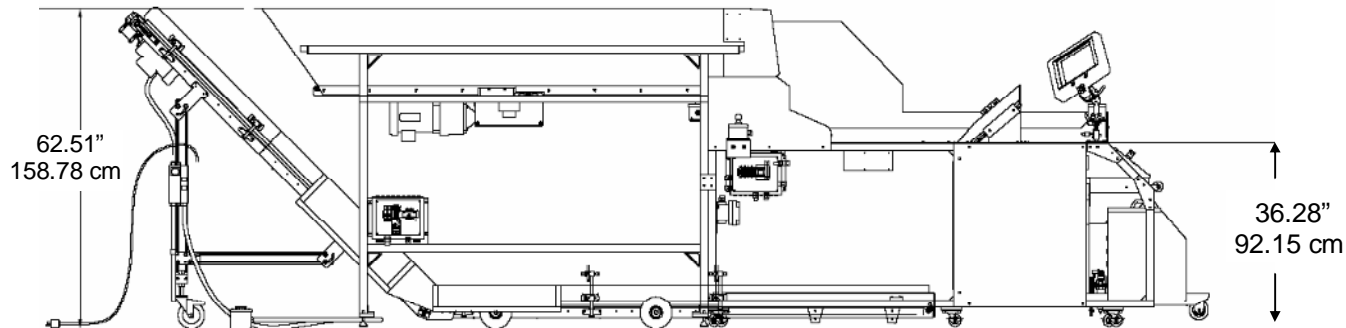
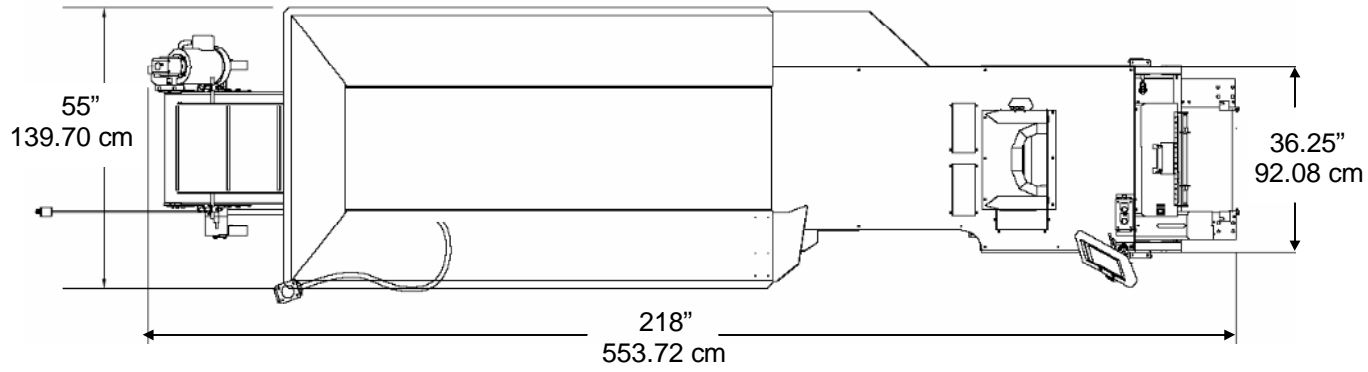
# Footprint Drawing



CTS4000™



CTS4000 with Hopper



machines
materials
service

s y s t e m s   a d v a n t a g e