



TS-100 SERIES

Fully Automatic Tray Stacker



IPak's Model TS Series fully automatic stackers are designed and built to withstand the rigors of continuous, heavy-duty, applications. The TS-100 Series is available in basic versions for stacking trays of a uniform footprint or fully adjustable versions capable of stacking trays of different sizes. Each TS-100 stacker is equipped with a programmable counter to

stack trays in a predetermined quantity. For highly automated lines, please inquire about IPak's TS-200 series of high performance multistack tray and tote stackers. Like all IPak machinery, the TS Series is known for reliability and dependability and is backed by IPak's professional service team.

TS-100 Series Fully Automatic Tray Stacker

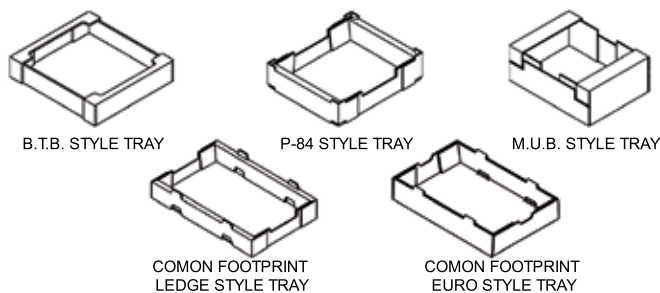
Standard Features

- Mechanical drive train
- Pneumatic actuation c/w FRL
- Space efficient footprint
- In-feed guides
- In-feed control gate
- Programmable counter
- Automatic advancement of stacked trays
- Corrosion resistant construction
- Remote Demand Controlled
- All controls 24 Volts DC

Machine Specifications

- Machine weight: 450 lbs
- Machine length: 13' (9'6" exposed)
- Machine width: 4'
- In-feed height: 12" +/- 1.5"
- Out-feed height: 32" +/- 1.5"
- Speed: up to 30 cases per minute
- Air: at 30 trays per minute, 3.0 cubic feet per minute at 80 p.s.i.
- Electrical: 230/460 Volts AC, 3 phase, 60 Hz, 30 Amp circuit
- PLC operated sequence and timing control
- NEMA 12 control panel
- Lock-out / tag-out compliant

Some Examples of Trays Formed on the TS-100



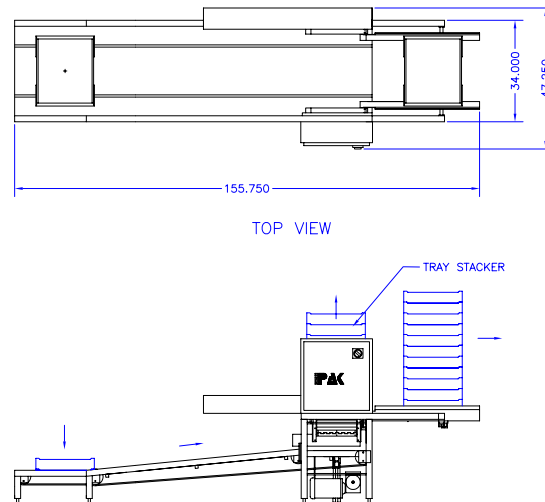
Optional Features

- Quick size change features
- Left or right hand controls
- Custom voltages
- Modifications for under or oversize cases

Method of Operation

Trays exiting the tray former are advanced toward the stacking mechanism. In-feed guides ensure alignment at the control gate. Trays are advanced and stacked. Full stacks are gently cross-pushed to the out-feed area.

Specification Drawing



The IPak Product Line Includes:

- | | |
|-----------------|--------------------------|
| Tray Formers | Flange Sealers |
| Case Sealers | Stackers and De-Stackers |
| Sleeve Wrappers | Custom Applications |



a division of Pro Mach 

IPak Machinery,
Wexxar Packaging Inc.
#1-14211 Burrows Road
Richmond, BC Canada V6V 1K9

Tel: 604-940-8073
Fax: 604-940-8074
email: sales@ipakmachinery.com
www.ipakmachinery.com