



A PRODUCT OF AUTOMATED PACKAGING SYSTEMS

The Autobag® AB 255 OneStep™ — Flexible, wide bagging system for fulfillment and short-run packaging applications

The Autobag AB 255 OneStep is uniquely designed to provide flexible solutions for dynamic packaging environments, such as mail order fulfillment, short production run, and build-on-demand operations. By positioning the PI 412c imprinter directly over the next bag to be loaded, the AB 255 OneStep prints and indexes in a single-step — virtually eliminating bag waste and product queuing.

This next-bag-out technology ensures accuracy and efficiency in packaging applications that require frequent product and label changeovers. The AB 255 OneStep can be utilized in the standard Print-n-Pack™ configuration, or integrated with a variety of productivity options, including laptop computers, bar code scanners and stand-alone keyboards.

The AutoTouch™ Control Screen of the AB 255 OneStep provides easy access to job set-up and storage for rapid job recall. Plus, the system can be integrated with ERP and shipping software for 1:1 mail order and fulfillment applications, linking shipping and customer databases for an efficient print, pack and ship operation.

The AB 255 OneStep operates at speeds up to 30 bags per minute, printing high-resolution text, graphics and bar codes up to 12 inches per second. The system is ideal for packaging medium to large products, offering bag sizes

up to 16 inches wide and 27 inches long. On-board diagnostics and modular Replace-n-Repair™ components ensure maximum uptime.

Using genuine Autobag brand bags-on-a-roll or bags-in-a-box, the AB 255 OneStep is a fast, flexible and cost-effective packaging solution.

User Benefits

- Improves the productivity of the packaging operation
- Prints the next bag out — no product to queue
- Compatible with multiple materials for broad application requirements
- Prints high-resolution text, graphics and bar codes directly on the bag, eliminating the need for a separate labeling operation
- Operator-friendly AutoTouch Control Screen for quick and easy job storage and recall
- Can be integrated with shipping and customer databases for 1:1 fulfillment packing and shipping
- Automates the label formatting process
- Tilt-back printer head for easy maintenance
- Available in horizontal or vertical configurations
- On-board diagnostics and modular components ensure maximum uptime
- Change bag sizes easily in less than 2 minutes



BPM

20

30

40

50

60

70

80



Standard Features

- Field proven AB 255 Wide Bagger and PI 412c Printer platforms
- AutoTouch™ Control Screen accesses operator tutorials, help system, on-board diagnostics, data retrieval, and performance monitoring
- On-board memory and PI 412c remote keypad to store job data for recall at a later time
- Modular E-Box and Valve Packs ensure maximum uptime
- Powered unwind for positive bag-web control provides accurate positioning for inline printing and loading
- Simple mechanical height adjustment and casters for operator comfort and portability
- Product Load Shelf to support heavier products
- Standard Footswitch to cycle bagger



AutoTouch Control Screen
 Provides fast and easy access to job storage and recall, system diagnostics, and productivity data

Typical Applications

- Mail order fulfillment
- Prescription-by-mail fulfillment
- Catalog order fulfillment
- Spare parts distribution
- Short-run production with frequent changeovers in any market



Mechanical Features

PI 412c printer head is positioned directly over the bag to be loaded, eliminating product queues and separate labeling operations



Tilt-back printer enables fast and easy maintenance and is system-matched for highest quality using genuine AutoLabel™ Thermal Transfer Ribbon

Options

- Available in horizontal or vertical configurations
- Handheld or tabletop bar code scanner
- Stand-alone keyboard
- PI 412c Universal Printer Interface
- Dual optical palm switches
- Range of infeed funnels
- Custom conveying equipment
- Seal flatteners
- Spare parts kits
- Custom Engineering & Integration design and support



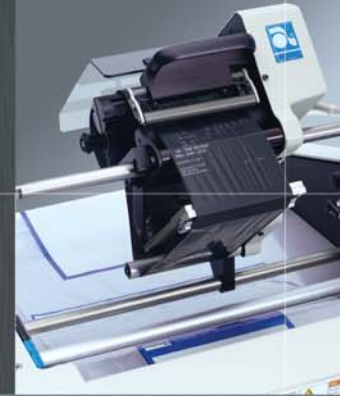
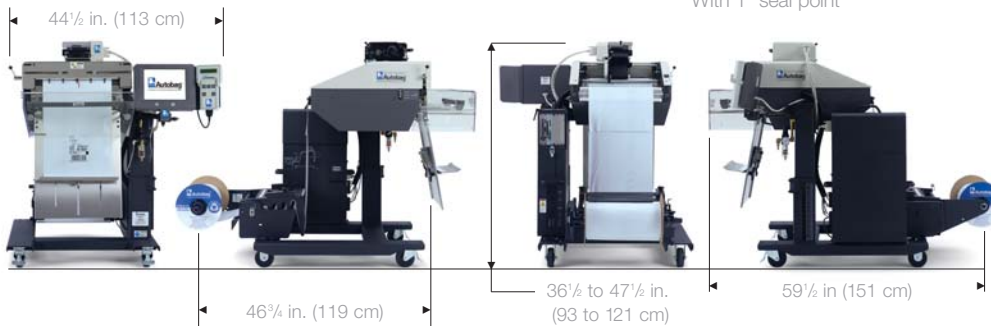
Modular Valve Pack
 A pneumatic control system designed for productivity, reliability and fast addition or replacement of individual valves



Configuration Options
 A variety of configuration options are available to improve productivity for each unique application

Technical Specifications

Weight: 368 lb (167 kg)	Pass-Through: 4 5/8 to 6 in.
Electrical: 110/220 VAC; 50-60 Hz	Bag Thickness: 1.25 to 4.0 mil
Air Feed: 8 CFM/80 psi of clean, dry air	Bag Sizes: W 4 to 16 in. L 5 1/2* to 27 in.
Dimensions:	Approval: CE approved
	*With 1" seal point



Powered Unwind provides web alignment and tension control for consistent film delivery to product load station



Automated Packaging Systems Inc.
 10175 Philipp Parkway
 Streetsboro, Ohio 44241
 Tel: 888-288-6224
 Fax: 330-342-2400