

# SEAL-A-TRON

Shrink Packaging Equipment

**PREMIUM  
MACHINERY**  
*at a  
Reasonable  
Price!*



MODEL  
**S-1722**

## SEMI-AUTOMATIC L-BAR SEALER

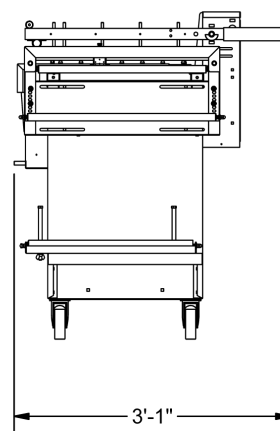
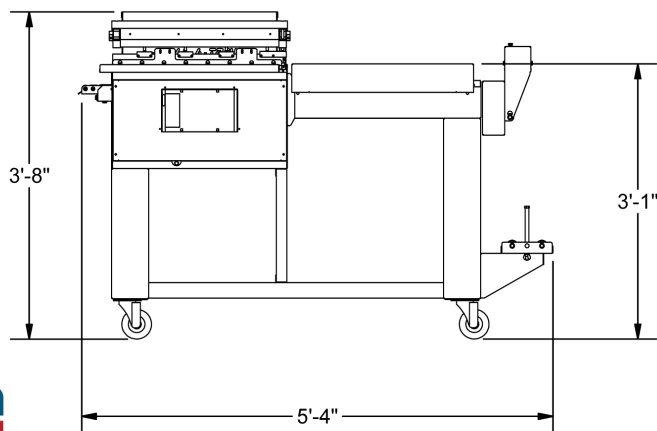
Seal Bar Dimensions: 17"W x 22"L x 6"H

### *Standard Features:*

- Tru-Temp Digital Seal Wire Control
- Dual Mag-LOK Extra Strong Magnets
- Lightly Balanced Seal Head Pivot
- EZ-Perf Venting Pin Perf
- Product Discharge Conveyor with Soft Start
- Manual Seal Table Adjustment
- Proximity Sensor Switching for Impulse Seal Wires
- Anodized Aluminum Seal Head with Film Clamps
- Heavy Duty Welded Frame with Locking Casters

### *Options:*

- Hot Knife Upgrade (Electrical Requires 220VAC)
- Powered Film Unwind (Suggested for rolls over 24"W)
- Adjustable Inverting Plow
- Roller Table Loading Infeed
- Pneumatic Push Button Sealing Cycle
- Heavy Product Upgrades
- Additional Seal Length (Consult Factory)



120 VAC

15 Amps



**BUILT FOR  
SERIOUS  
Performance**

Seal-A-Tron Corporation™ • 3815 S.E. Naef Road. • Portland, OR 97267 • Phone (503) 652-5200 • Fax (503) 905-1331

Visit us on the Internet at: <http://www.seal-a-tron.com>