

# SEAL-A-TRON

Shrink Packaging Equipment

**PREMIUM  
MACHINERY**  
*at a  
Reasonable  
Price!*



MODEL  
**T-1910-30**  
**PRODUCTION  
SHRINK TUNNEL**

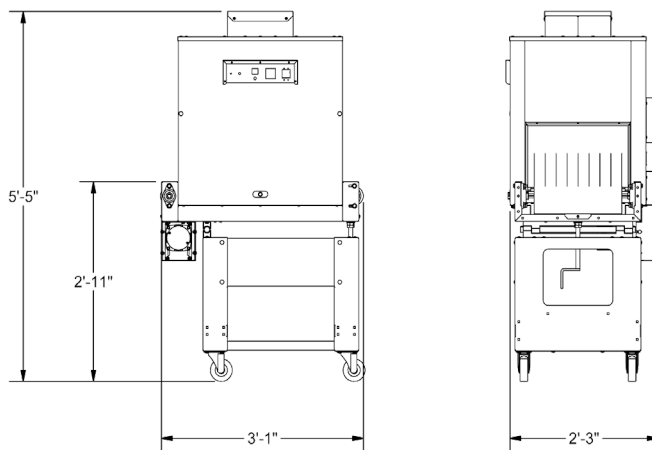
Chamber Dimensions: 19"W x 10"H x 30"L

### *Standard Features:*

- Surround Air Flow Design
- Kool-Touch Exterior Surface
- Solid State Digital Temperature Control
- Power Switching with Solid State Relays
- Adjustable Height Infeed to Assure Even Product Transfer
- Cool Down Cycle
- Heavy Duty Welded Frame with Locking Casters

### *Shrink Tunnel Options:*

- GFN Conveyor, Glass Filled Nylon Belt
- Close Roller Spacing on Live Rollers
- Infeed and Exit Conveyor Extensions



**220 VAC  
SINGLE PHASE  
30 Amps**



**BUILT FOR  
SERIOUS  
Performance**

Seal-A-Tron Corporation™ • 3815 S.E. Naef Road. • Portland, OR 97267 • Phone (503) 652-5200 • Fax (503) 905-1331

Visit us on the Internet at: <http://www.seal-a-tron.com>