

# **SIGNODE** **HBX-4300**<sup>TM</sup> **Small Anvil**

**Semiautomatic plastic strapping machine for small bundles**

- **Unmatched simplicity**  
*Easy to operate and maintain*
- **Jam-resistant technology**
- **Designed to strap small, rigid bundles**



Model is shown with optional features.

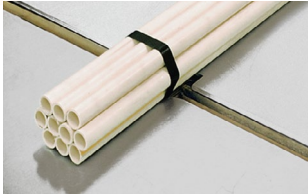
Up to  
**70**  
straps per  
minute!

**SIGNODE**<sup>®</sup>

# SIGNODE HBX-4300™

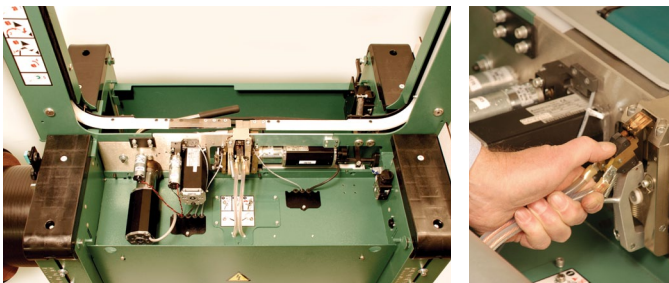
**Semiautomatic plastic strapping machine for small bundles**  
**Small Anvil**

The HBX-4300™ Small Anvil semiautomatic strapping machine, designed for small, irregular packages, provides reliable bundling for a wide range of applications. The HBX-4300 Small Anvil can strap rigid packages as small as 2-3/4" wide by 3/4" high. Built with a number of standard features to simplify maintenance and operation, the HBX-4300 maximizes production to save you time and money.



## Unmatched simplicity

The HBX-4300's simple yet durable design eliminates the use of drive belts and clutches. This combined with other trouble-free maintenance elements like toolless hot knife removal and jam-resistant technology make it easier to operate and more cost effective to maintain than other strapping machines.



## Bi-directional coil loading

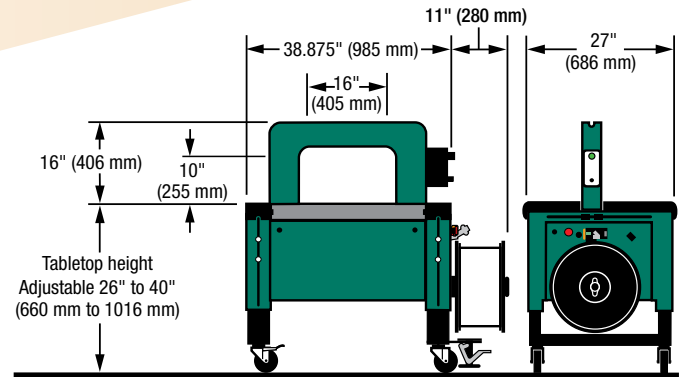
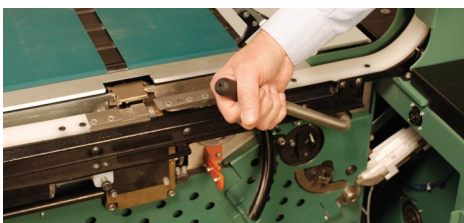
Strap coil pays off from either direction, eliminating the downtime and material waste resulting from incorrect coil loading.

## Out-of-strap feature

The out-of-strap feature ejects the strap at the end of the coil to eliminate downtime and errors associated with removing the excess strap left in the machine.

## Fully accessible strap path

No tools required. Simply raise the tabletop and lift guide for access to strap path.



**HBX-4300 Small Anvil chute inner dimensions**  
16 inches (406 mm) W x 10 inches (254 mm) H

## HBX-4300 Small Anvil Specifications

- Cycle rate:** Up to 70 straps per minute. Actual production will vary depending on package size, chute size and operator dexterity.
- Minimum rigid package size:** 2-3/4" (70 mm) W x 3/4" (19 mm) H
- Maximum package size:** 16" (405 mm) W x 10" (255 mm) H
- Maximum package weight:** 100 lbs
- Maximum applied tension:** Up to 250 lbs (1110 N)
- Strapping:** 9 mm or 12 mm Contrax polypropylene strapping
- Electrical requirements:** 120 volt, 60Hz, FLA 7 amp;  
3 phase voltage optional
- Shipping weight:** 600 lbs

## HBX-4300 Small Anvil Options

- EZ clear button
- EZ height adjustable leg kit — 26" to 40" (660 mm to 1015 mm)
- Floor lock kit
- Conveyor interlock kit

For Sales & Service:  
R.V. Evans Company  
1-800-252-5894  
www.rvevans.com

**SIGNODE®**

3610 West Lake Avenue  
Glenview, Illinois 60026  
1-800-323-2464  
www.signode.com