

Screw Identification

12-DIGIT SCREW CODING SYSTEM

1-2 Digits Diameter	3 Digit Application	4-6 Digits Length	7 Digit Coating/Finish	8-10 Digits Painted screws only	8 Digit Carton Count	9 Digit Head Type	10 Digit Thread	11 Digit Point	12 Digit Drive Type
06 #6	A Drywal to Wood	044 7/16" 11mm	C Clear Zinc	003 Grey	B Bulk 4M	A Round Washer	C Coarse	3 Tek3	P Phillips
07 #7	B Drywal to Lt. Ga. Steel	055 1/2" 12mm	P Phosphate	316 SS316	K Box 1M	B Bugle Head	D Double	4 Tek4	S Square
08 #8	C Drywal to Heavy. Ga. Steel	062 5/8" 16mm	S Stainless Steel	497 Brown	T Tub 1M	C Composite Deck	E Fine 18 TPI	5 Tek5	X Rex
09 #9	D Decking – Wood to Wood	075 3/4" 19mm	W Exterior	592 Tan		F Flat Pan	F Fine	A Wing tek3	
10 #10	F Flooring – Plywood to Wood	087 7/8" 22mm	Y Yellow Zinc	596 Red		H Hex	H Hi-Lo	B Wing tek4	
12 #12	G Sheathing to Steel	100 1" 25mm		Example: 10M075YKFT4X		L Flat	T Fine 22 TPI	C Wing tek5	
14 #14	L Flooring (Novadeck)	125 1-1/4" 32mm		10 = #10"		N Reduced Wafer		D Driller	
	M Metal to Metal	150 1-1/2" 38mm		M = Metal to Metal		M Mod. Flat Pan		N Spoon	
	Q Underlaymentl	162 1-5/8" 41mm		075 = 3/4" Length		P Pan		P Pilot	
	R Composite Decking-Trim Hd	175 1-3/4" 44mm		Y = Yellow Zinc		R Reduced Mod. Truss		R Reduced Drill	
	S Composite Deck-Mat. Trapping	200 2" 50mm		K = Box 1M		T Trim, Trim w/Nibs		S Sharp	
	T Cement Board	250 2-1/2" 65mm		F = Flat Pan		W Wafer Head		T Type 17	
	X Specialty	300 3" 75mm		T = Fine 22 TPI				W Wing	
				4 = Tek4					
				X = Rex					

APPLICATION 3-DIGIT BREAK DOWN

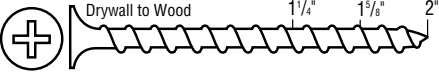
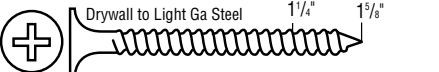
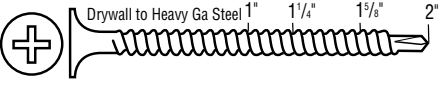
3rd Digit	Application	Head Type	Point	Drive Type	Thread	Lub.
A	Drywall to Wood	Bugle	Sharp	Phillips	Coarse	None
B	Drywall to Light Ga. Steel	Bugle	Sharp	Phillips	Fine	None
C	Drywall to Heavy Ga. Steel	Bugle	Self-Drilling	Phillips	Fine	None
D	Decking – Wood to Wood	Flat	Type 17 Cut	Square	Coarse 2/3	Wax
F	Flooring – Plywood to Wood	Flat	Sharp	Square	Coarse 2/3	Wax
L	Wood Flooring	Flat	Type 17 Cut	Square	Coarse	Wax
Q	Underlayment	Mod. Trim w/Nibs	Sharp	Phillips	High-Low	None
R	Composite Decking	Mod. Trim	Type 17 Cut	Square	Coarse 2/3	Wax
S	Composite Decking	Anti-Mushroom (Cupped-Pan)	X Point	Square	Coarse/Fine	None
T	Cement Board	Wafer w/Nibs	Self Drill Spoon	Phillips	High-Low	None
M	Metal to Metal	Pan, Flat, Mod. Flat Pan, Reduced Mod. Truss, Flat Pan, Reduced Wafer	Drill, Sharp, T3, T4, T5	Phillips, Square, Rex	Double, Fine	None
X	Specialty	Round Washer	Type 17, Drill	Square	Coarse, Double	None
G	Sheathing to Steel	Flat, Wafer w/Nibs, Wafer, Reduced Wafer	Pilot, Drill, Wing Drill, Sharp, T3, T4, T5	Phillips, Square, Rex	Double, Fine	None



Screw Quick Reference Guide

Drywall

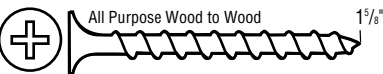
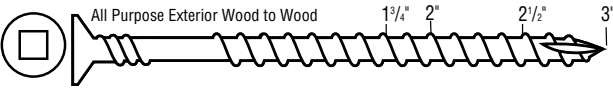
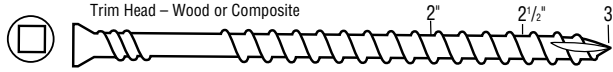
SHANK POINT

#6	Sharp	
#6	Sharp	
#6	Drill	



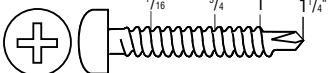

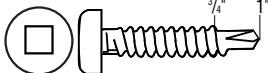
SHANK POINT



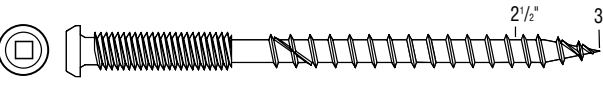
Exterior Decking/Rails/Fencing/Specialty

#6	Sharp	
#8	Type 17	
#8	Type 17	

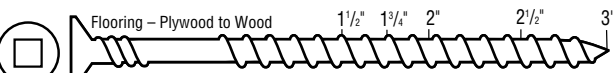
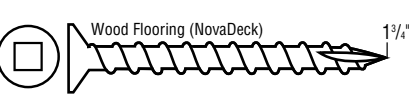
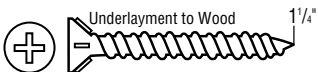
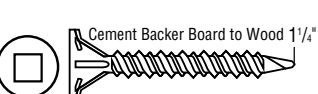
Metal to Metal

#7	Sharp	
#8	Sharp	
#7	Drill	
#8	Drill	
#10	Drill	


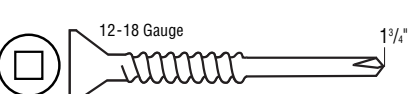
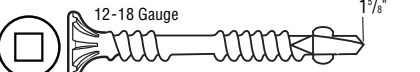

Decking-Composite "Anti-Mushroom" head

#8	Sharp	
----	-------	---

Sub-floor/Underlayment/Sheathing to Wood

#8	Sharp	
#8	Type 17	
#8	Sharp	
#8	Spoon	

to Heavy Steel

#8	Sharp Wing	
#8	Pilot	
#8	Drill Wing	
#10	Drill	



DRYWALL/GYPSUM SHEATHING

ITEM CODE	SHAUK	LENGTH	DRIVE	HEAD	THREAD	POINT	FINISH	QTY
WOOD								
06A125P	#6	1 1/4"	#2 Phillips	Bugle	Coarse	Sharp	Grey Phosphate	1000
06A125PB	#6	1 1/4"	#2 Phillips	Bugle	Coarse	Sharp	Grey Phosphate	4000
06A162P	#6	1 5/8"	#2 Phillips	Bugle	Coarse	Sharp	Grey Phosphate	1000
06A162PB	#6	1 5/8"	#2 Phillips	Bugle	Coarse	Sharp	Grey Phosphate	4000
06A162W	#6	1 5/8"	#2 Phillips	Bugle	Coarse	Sharp	Extorior	1000
07A200P	#7	2"	#2 Phillips	Bugle	Coarse	Sharp	Grey Phosphate	1000
08A250PK	#8	2 1/2"	#2 Phillips	Bugle	Coarse	Sharp	Grey Phosphate	1000 Box

STEEL

06B125P	#6	1 1/4"	#2 Phillips	Bugle	Double Thread	Sharp	Grey Phosphate	1000
06B125PB	#6	1 1/4"	#2 Phillips	Bugle	Double Thread	Sharp	Grey Phosphate	4000
06B162P	#6	1 5/8"	#2 Phillips	Bugle	Double Thread	Sharp	Grey Phosphate	1000
06B162PB	#6	1 5/8"	#2 Phillips	Bugle	Double Thread	Sharp	Grey Phosphate	4000
06C100C	#6	1"	#2 Phillips	Bugle	Fine	Drill	Clear Zinc	1000
06C125C	#6	1 1/4"	#2 Phillips	Bugle	Fine	Drill	Clear Zinc	1000
06C125CB	#6	1 1/4"	#2 Phillips	Bugle	Fine	Drill	Clear Zinc	4000
06C125PB	#6	1 1/4"	#2 Phillips	Bugle	Fine	Drill	Grey Phosphate	4000
06C125WK	#6	1 1/4"	#2 Phillips	Bugle	Fine	Drill	Extorior	1000 Box
06C162C	#6	1 5/8"	#2 Phillips	Bugle	Fine	Drill	Clear Zinc	1000
06C162CB	#6	1 5/8"	#2 Phillips	Bugle	Fine	Drill	Clear Zinc	4000
06C162WK	#6	1 5/8"	#2 Phillips	Bugle	Fine	Drill	Extorior	1000 Box
06C200C	#6	2"	#2 Phillips	Bugle	Fine	Drill	Clear Zinc	1000

SHEATHING (SUBFLOOR, UNDERLAMENT, CEMENT BOARD)

WOOD								
08F150Y	#8	1 1/2"	#2 Square	Flat	Coarse	Sharp	Yellow Zinc	1000
08F175Y	#8	1 3/4"	#2 Square	Flat	2/3 Coarse	Sharp	Yellow Zinc	1000
08F200Y	#8	2"	#2 Square	Flat	2/3 Coarse	Sharp	Yellow Zinc	1000
08F250Y	#8	2 1/2"	#2 Square	Flat	2/3 Coarse	Sharp	Yellow Zinc	800
08F300Y	#8	3"	#2 Square	Flat	2/3 Coarse	Sharp	Yellow Zinc	800
10P200Y	#10	2"	#2 Square	Flat	2/3 Coarse	Sharp	Yellow Zinc	1000
08E200Y/BHSS	#8	2"	#2 Square	Trim Head+ribs	High Low	Sharp	Yellow Zinc	4000
08L125CB/LCTS	#8	1 1/4"	#2 Square	Flat	Coarse	Type 17	Clear Zinc	4000
08L175YB	#8	1 3/4"	#2 Square	Flat	Coarse	Type 17	Yellow Zinc	4000

STEEL

08G200CKLTPS	#8	2"	#2 Square	Flat	Fine	Pilot	Clear Zinc	1000 Box
08G150CTLSS	#8	1 1/2"	#2 Square	Flat	Double Thread	Sharp	Clear Zinc	1000
08G162CTWFS	#8	1 5/8"	#2 Square	Water+ribs	Fine	Wing Drill	Clear Zinc	1000
10G162CTWFS	#10	1 5/8"	#2 Square	Water+ribs	Fine	Wing Drill	Clear Zinc	1000
08G200CTWFS	#8	2"	#2 Square	Water+ribs	Fine	Wing Drill	Clear Zinc	1000
08G250CTWFS	#8	2 1/2"	#2 Square	Water+ribs	Fine	Wing Drill	Clear Zinc	800
08G300CTWFS	#8	3"	#2 Square	Water+ribs	Fine	Wing Drill	Clear Zinc	800
08G100CKMFD	#8	1"	#2 Phillips	Reduce Water	Fine	Drill	Clear Zinc	1000 Box
10G125CBWFD	#10	1 1/4"	#2 Square	Water	Fine	Drill	Clear Zinc	4000
12G175YKLFAX	#12	1 3/4"	Hex Drive	Flat	Fine	Wing T3 Drill	Yellow Zinc	1000 Box
12G200YKLFAX	#12	2"	Hex Drive	Flat	Fine	Wing T3 Drill	Yellow Zinc	1000 Box
12G250YKLFAX	#12	2 1/2"	Hex Drive	Flat	Fine	Wing T3 Drill	Yellow Zinc	1000 Box

CEMENT BOARD

08T125W	#8	1 1/4"	#2 Square	Water+ribs	High Low	Spoon	Extorior	1000
08T200W	#8	2"	#2 Square	Water+ribs	High Low	Spoon	Extorior	1000
08T150WBWFD	#8	1 1/2"	#2 Square	Water+ribs	Fine	Drill Point	Extorior	4000

UNDERLAMENT

07O100PB	#7	1"	#2 Phillips	Trim+ribs	High Low	Sharp	Grey Phosphate	4000
07O125PB	#7	1 1/4"	#2 Phillips	Trim+ribs	High Low	Sharp	Grey Phosphate	4000
07O125PBQ	#7	1 1/4"	#2 Square	Trim+ribs	High Low	Sharp	Grey Phosphate	4000

DECKING

08D175W	#8	1 3/4"	#2 Square	Flat	2/3 Coarse	Type 17	Extorior	1000
08D200W	#8	2"	#2 Square	Flat	2/3 Coarse	Type 17	Extorior	1000
08D250W	#8	2 1/2"	#2 Square	Flat	2/3 Coarse	Type 17	Extorior	800
08D300W	#8	3"	#2 Square	Flat	2/3 Coarse	Type 17	Extorior	800
08D250S	#8	2 1/2"	#2 Square	Flat	2/3 Coarse	Type 17	Stainless 304	800
09D300S	#9	3"	#2 Square	Flat	2/3 Coarse	Type 17	Stainless 304	800

COMPOSITE DECKING

08R250S	#8	2 1/2"	#2 Square	Trim	2/3 Coarse	Type 17	Stainless 304	800
08R250W	#8	2 1/2"	#2 Square	Trim	2/3 Coarse	Type 17	Extorior	800
08R300W	#8	3"	#2 Square	Trim	2/3 Coarse	Type 17	Extorior	800
08S250W003	#8	2 1/2"	#2 Square	Cupped Pan	1/2 Coarse 1/2 Auger	Sharp	Extorior/Grey	800
08S250W992	#8	2 1/2"	#2 Square	Cupped Pan	1/2 Coarse 1/2 Auger	Sharp	Extorior/Tan	800
08S250W996	#8	2 1/2"	#2 Square	Cupped Pan	1/2 Coarse 1/2 Auger	Sharp	Extorior/Red	800
08S250W497	#8	2 1/2"	#2 Square	Cupped Pan	1/2 Coarse 1/2 Auger	Sharp	Extorior/Brown	800
08S300W003	#8	3"	#2 Square	Cupped Pan	1/2 Coarse 1/2 Auger	Sharp	Extorior/Grey	800
08S300W992	#8	3"	#2 Square	Cupped Pan	1/2 Coarse 1/2 Auger	Sharp	Extorior/Tan	800
08S300W996	#8	3"	#2 Square	Cupped Pan	1/2 Coarse 1/2 Auger	Sharp	Extorior/Red	800
08S300W497	#8	3"	#2 Square	Cupped Pan	1/2 Coarse 1/2 Auger	Sharp	Extorior/Brown	800

METAL ATTACHMENT
















07M44P/PPDSP	#7	7/16"	#2 Phillips	Framing Pan Head	Double	Sharp	Grey Phosphate	1000
10M075CTMFD	#10	3/4"	#2 Square	Mod Flat Pan	Fine	Drill	Clear Zinc	1000
10M100CKMFD	#10	1"	#2 Square	Mod Flat Pan	Fine	Drill	Clear Zinc	1000 Box
10M075CKMFD	#10	3/4"	#2 Phillips	Reduced Water	Fine	Drill	Clear Zinc	1000 Box
08M050CTRFDP	#8	1/2"	#2 Phillips	Reduced Mod Truss	Fine	Drill	Clear Zinc	1000
08M050CTRFSP	#8	1/2"	#2 Phillips	Reduced Mod Truss	Fine	Sharp	Clear Zinc	1000
10M075YTFDX	#10	3/4"	Hex Drive	Flat Pan	Fine	Drill	Yellow Zinc	1000
12M087YKFFAX	#12	7/8"	Hex Drive	Flat Pan	Fine	T4 Drill	Yellow Zinc	1000 Box
12M100YKFFAX	#12	1"	Hex Drive	Flat Pan	Fine	T3 Drill	Yellow Zinc	1000 Box
12M150CTFFDX	#12	1 1/2"	Hex Drive	Flat Pan	Fine	Drill	Clear Zinc	1000
10M062CBFFDX	#10	5/8"	Hex Drive	Flat Pan	Fine	Drill	Clear Zinc	6000

SPECIALTY

08X125CBACTS	#8	1 1/4"	#2 Square	Round Washer	Coarse	Type 17	Clear Zinc	4000
08X200CKADDS	#8	2"	#2 Square	Round Washer	Double Thread	Drill	Clear Zinc	1000 Box
08X125CKADDS	#8	1 1/4"	#2 Square	Round Washer	Double Thread	Drill	Clear Zinc	1000 Box







Drive Bits

Select the bit that's right for the job.







Tools/Attachments	Drive Style	Item#
DS200-AC, DS202-14V, D400-AC, D404-14V	Phillips 	EA0122
	Square 	EA0123
	Rex 	EA0269
DCF5000, TY5100	Phillips 	BIT411
	Square 	BIT412
	Rex 	BIT601
DS300-AC, D600-AC DS275-18V, DS50-18V	Phillips 	EA0140
	Square 	EA0141
	Rex 	EA0270
DS300, DS300-S2, D600-2, D600-ATT	Phillips 	EA0128
	Square 	EA0127
	Rex 	-
TD2000A	Phillips 	BIT509
	Square 	BIT510
	Rex 	-



When Attaching to: SG2500, SG400, TyRex TD2000

Tools/Attachments	Drive Style	Item#
DS110, TY0100	Phillips 	EA0277
DS210, TY0200	Square 	EA0278
	Rex 	EA0279
DC310, TY0300	Phillips 	EA0271
DS325AC, TY2503, DS340AC, TY4003	Square 	EA0272
	Rex 	EA0273

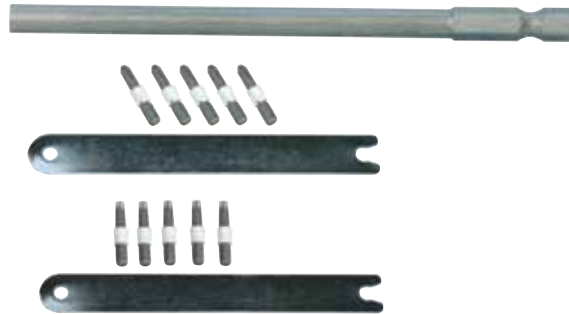
When Attaching to: TyRex TY1800, Black and Desker, DeWalt, Hitachi, Makita.

Tools/Attachments	Drive Style	Item#
DS110, TY0100, DS210 TY0200	Phillips 	EA0280
	Square 	EA0281
	Rex 	EA0282
DS310, TY0300	Phillips 	EA0274
	Square 	EA0275
	Rex 	EA0276



Drive Bits

Replacement Bit Holder

Tools/Attachments	Item#
DS162-14v, DS200-14v, DS200-AC, DS275-18V, DS205-14V	WC0067
DS275-18v, DS300-24v, DS300-AC	WC0070



Replacement Bit Inserts

DS300-AC, D275-18V	Phillips 	EA0142
DS202-14V, DS205-14V	Square 	EA0143

Nose Pieces

Pan / truss and Washer head screws require special nose piece



Range	Pan/Truss Head Nose Piece	Item #
7/16"-1 1/4"	DS200, DS200-S4, DS200-AC, DS202-14v	FC0489
	Metal Washer Nose Piece	
1 1/4"	DS275-18v DS300-AC	NPC030
Plastic Washer Nose Piece		
1 3/4"	DS275-18v, DS300-AC	NPC029

Screw Gun Adapter Chart

Item #	Brand	Fits Models			
ADP015	SENCO/TyRex	SG2500	SG4000		
ADP009	DeWalt	DW252	DW253	DW255	DW257
		DW266	DW272	DW276	
ADP010	Hitachi	W6V4	W6VA4	W6VB3	W6VM
		W8VB2			
ADP011	Makita	6820	6821	6823	6824
		6825	6826		
ADP019	Makita	FS2200	FS2500	FS4200	FS6200
ADP016	TyRex	TD2000			
ADP017	Hitachi	WH14DM			
ADP018	Sioux	Screwdrivers with 1/4" Internal Hex feature			
ADP014	TyRex	TY1800			

Batteries & Chargers

DuraSpin, Slide Battery Systems	Fits	(Qty 1)
Battery 14.4v (2.0Ah)	From 06/05 on: DS202-14v, DS205-14v,	VB0023
Battery 18v (2.0Ah)	DS275-18v	VB0036
Battery 24v (2.0Ah)	DS300-24v	VA0037
Charger 9.6v-24v	VB0022, VB0023, VB0036 & VB0037	VB0002

