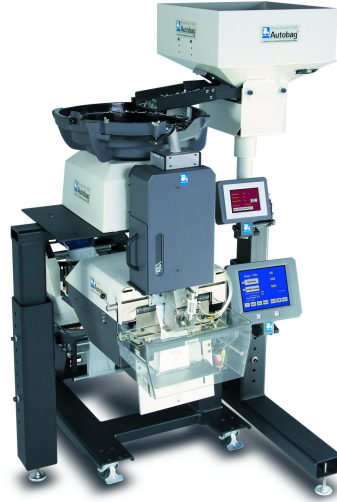
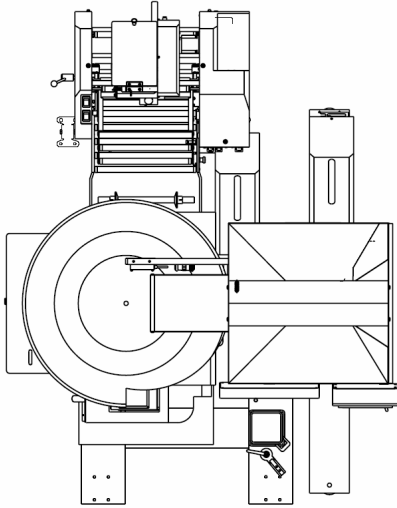
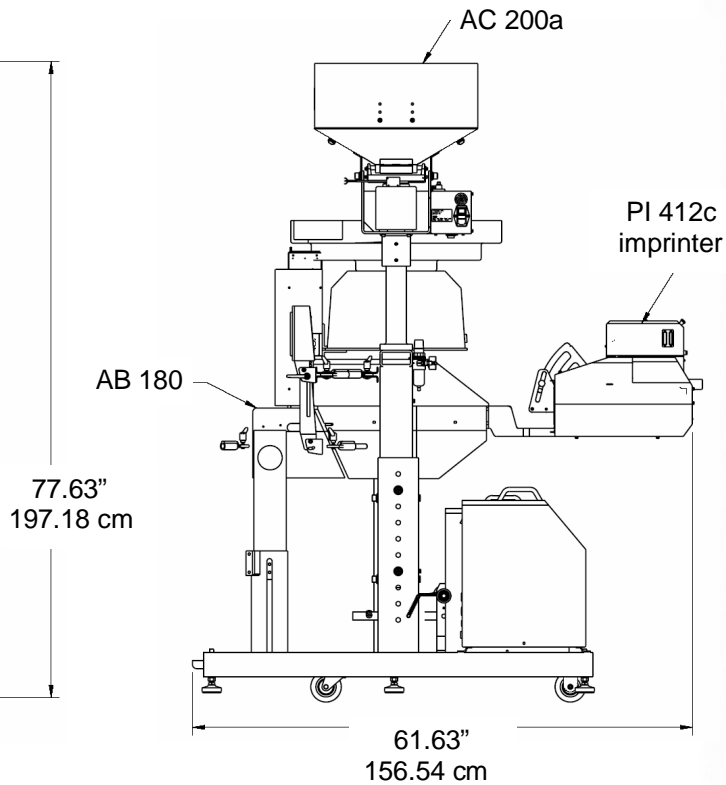
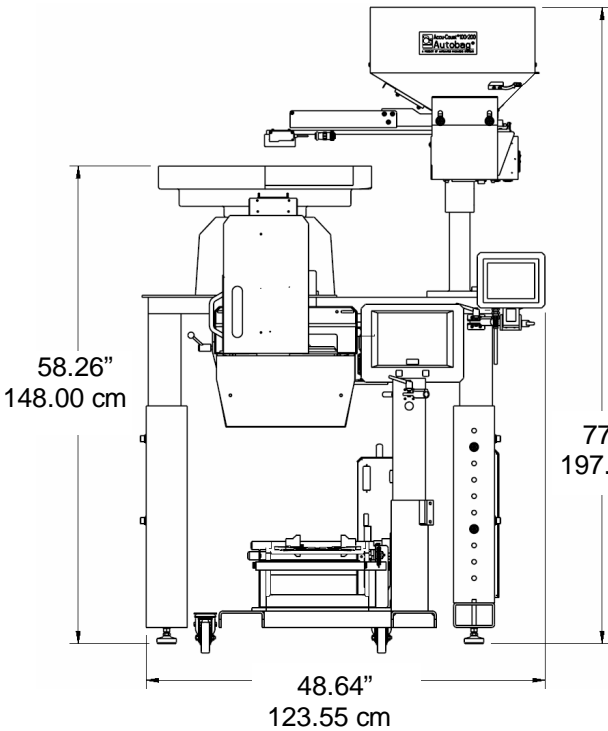


Footprint Drawing



Accu-Count® & AB 180™
 (PI 412c Imprinter not shown)



m a c h i n e s m a t e r i a l s s e r v i c e

s y s t e m s a d v a n t a g e